

A graphic with a yellow background. At the top is a circular logo with a red and blue yin-yang design and white stars. Below it, the text "Mechanical" is in a large, bold, red font, and "PARTS and ASSEMBLIES" is in a smaller, blue font. A flowchart shows a box labeled "CUSTOM" connected to a larger box labeled "MECHANICALS". Below "MECHANICALS" are two images: a man in a white shirt looking at a computer monitor, and a white plastic mechanical part. At the bottom right, the number "105.25" is displayed.

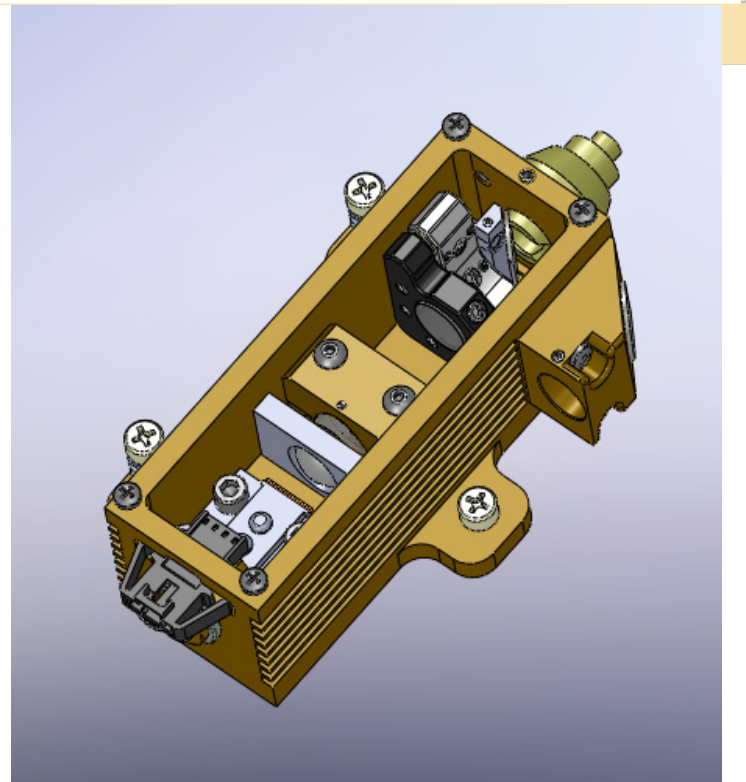
404 Main Street - Pollockville, NC 28573
252.360.1153 tel 252.565.0471 fax
www.selds.com

CUSTOMER FOCUSED

We specialize in high quality parts and product assemblies. Weather you need prototype, pre-production, or normal production quantities, we have over 30 years of experience turning customer needs into world class products.

What makes us different is our ability to quickly re-configure our facility for your specific needs. Using our work-cell concept, engineers and assemblers concentrate on your and only your product. Your production is our highest priority and your project will never be bumped down.

Unlike many domestic and off-shore sources which look at prototyping and low volume production runs as unwanted, we excel at these quantities.



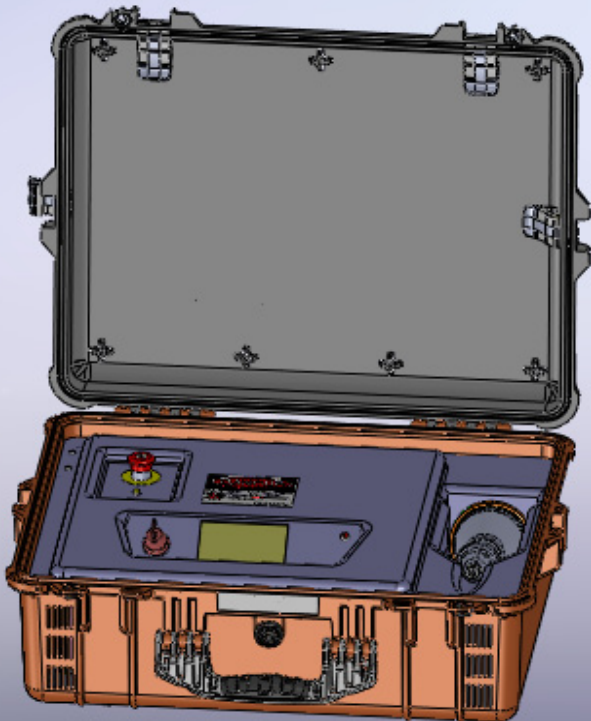
SEAMLESS

Our goal is to make ordering, engineering changes, first article and production delivery as easy as possible. Weather its a Turn-Key, Consignment, or Kited project our processes are designed to lighten your load.

The status of your project is available 24/7 by accessing our customer area on line. We also provide customer specific secure areas for design documents, testing parameters and device data upload.

ACCURATE

Unlike other, we demand absolute perfection from our employees and vendors. Our equipment was chosen to produce fast, accurate and repeatable products. Each employee is cross-trained in all aspects of quality production. Our processes insure adherence to the most rigid production standards and every product is 100% inspected and tested prior to shipment.



MECHANICAL CAPABILITIES

FORGING

The forging process produces directional alignment for important directional properties of strength, ductility and resistance to impact and fatigue. The higher strength to weight ratio can be used to reduce section thickness in parts.

MACHINING

CNC machining is provided to support our Forging, Extrusion, Casting, and Molding production.

EXTRUSION

Aluminum and aluminum alloys are extruded into custom and standard profiles and shapes. Additional capabilities include machining, grinding, anodizing, electroplating, painting and powder coating.

MECHANICAL SUB-ASSEMBLIES

Our mechanical assembly services include assembly of mechanical parts, components, equipment, systems, electromechanical, and pneumatic.

CASTING

Casting is a rapid production process that allows a high volume of parts to be produced very quickly. Aluminum casting tools last between 50,000 and 400,000 shots, depending on the application and the class of the tool produced.

INJECTION MOLDING

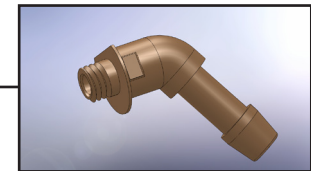
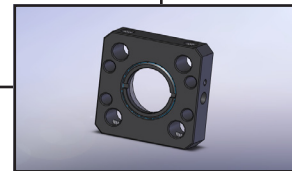
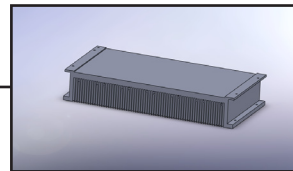
Materials include Acrylic, Polyester, PVC, Polyurethane, other technical plastics, Rubber and Silicone

DESIGN

3 dimension CAD programs are used in the design of every mechanical component and assembly. Each design is completely built before prototypes are produced, tools are made, or production starts.

INTRINSICALLY SAFE ASSEMBLY

We have been building assemblies for hazardous environments from the beginning. Our materials, proprietary machinery, and processes assure safety in challenging circumstances.



CALL FOR A QUOTE OR VISIT OUR WEBSITE FOR INFO

888.310.9050

www.selds.com